

VIEW
SCALE

YESUMELEK

Save The Earth

ENGINEERING

we do it for you

ABOUT US

YESUMELEK Engineering is services provider of 2D drafting and 3D modeling in India for diverse sectors. Our highly-talented engineering teams understand the exact requirements of clients and strive hard to deliver technical drawing at par with international standards.

We provide error-free, quick, reliable and accurate CAD drawing and drafting services at competitive market rates.

CONTACT US

Palayamkottai,
Tirunelveli, TN, India – 627002

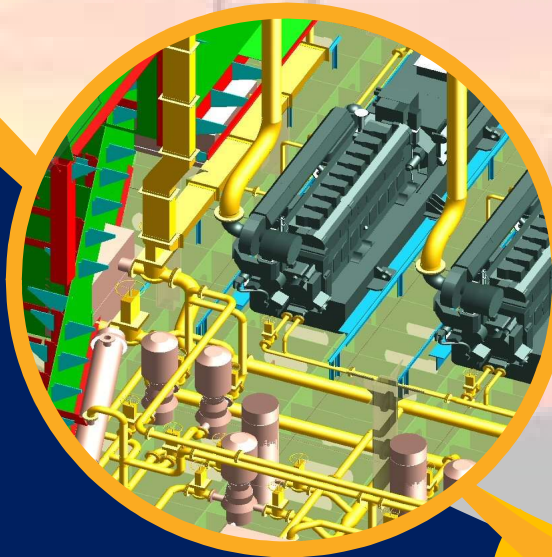
Phone : +91 94435 96356
Email : yesumelek@yesumelek.com
Web : www.yesumelek.com

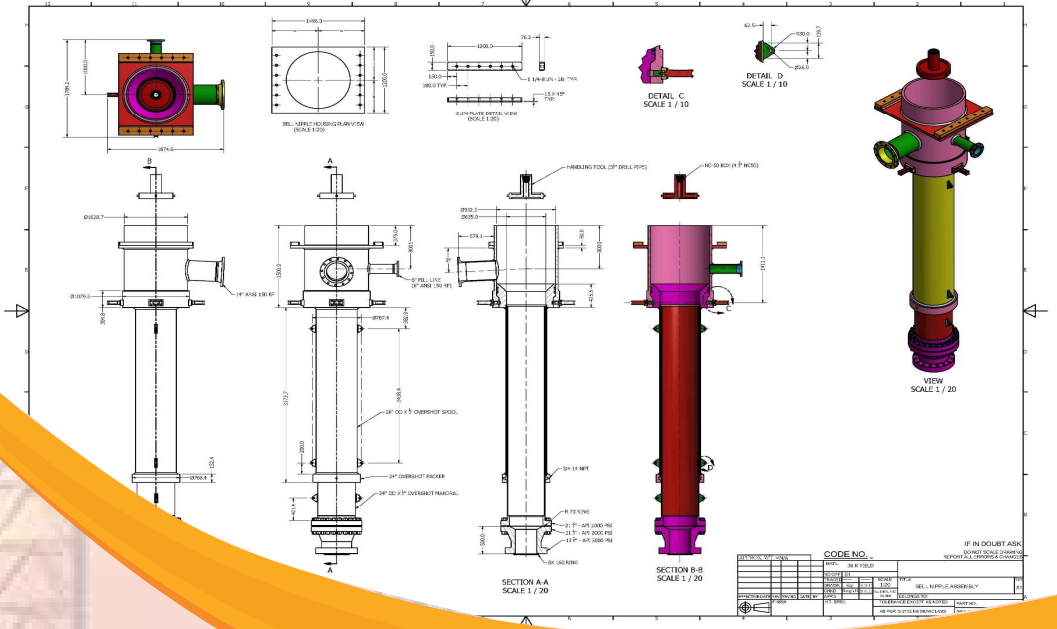
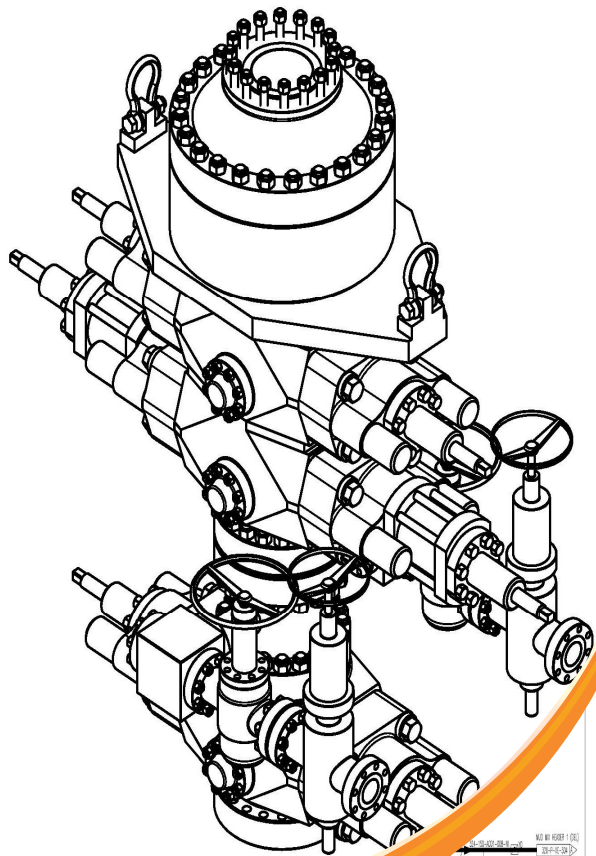


3D MODELING

Our 3D CAD modeling services in India are extremely flexible and we allow our clients to choose the software that they want us to create the drawings and models with.

We can help you by creating 2D drawings and 3D models for your projects. We closely work with our clients and offer them assistance at every step of the way, from the initial conceptualization to the design and also offer them with the right documentation.

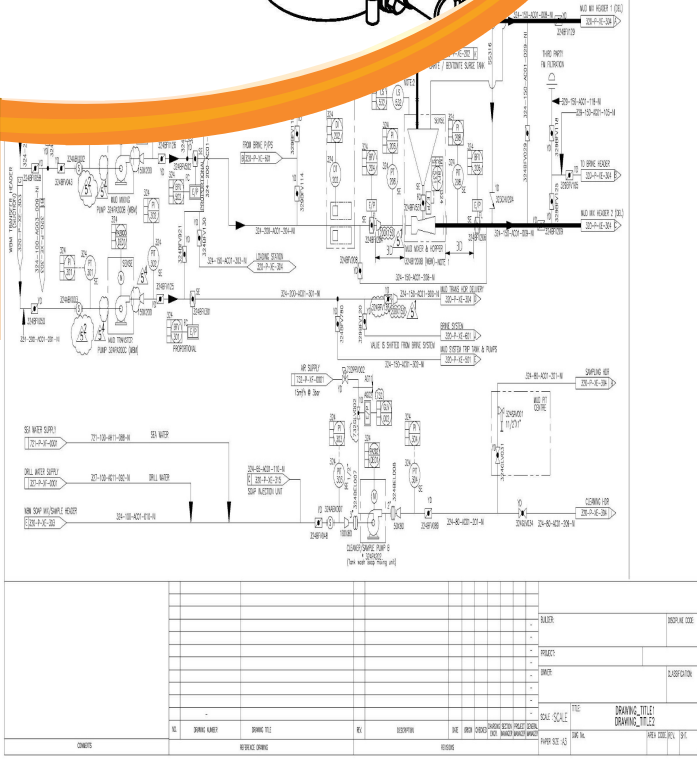


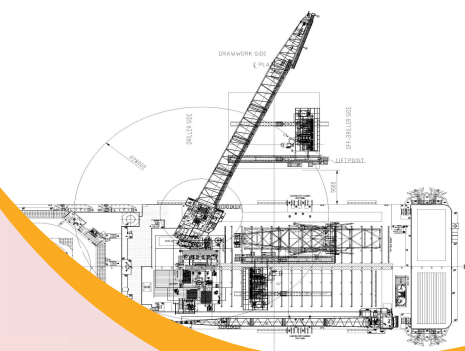


2D DRAFTING

Modification of existing CAD drawings from redline markups. 2D drawing house plans and Layout designs according to the stringent codes and standards.

A piping and instrumentation diagram (P&ID) is a detailed diagram in the process industry which shows the piping and vessels in the process flow, together with the instrumentation and control devices and electrical diagram as well.





PDF FILE TO CAD

Generation of mechanical or electrical CAD drawings from PDF, sketches and image files and Paper to CAD conversion

We have the resources, skills and expertise to take all of your sketches, pictures, outdated models and old drawings, and convert them into documents that you can use for your business.

